

Separate catalog available

## ACS2-EGS

Uniform traffic line for transporting and transiting pallets offers streamlined work floor layout



Entry and exit point side

**Clamping force** 30 - 150tf

For all types of products

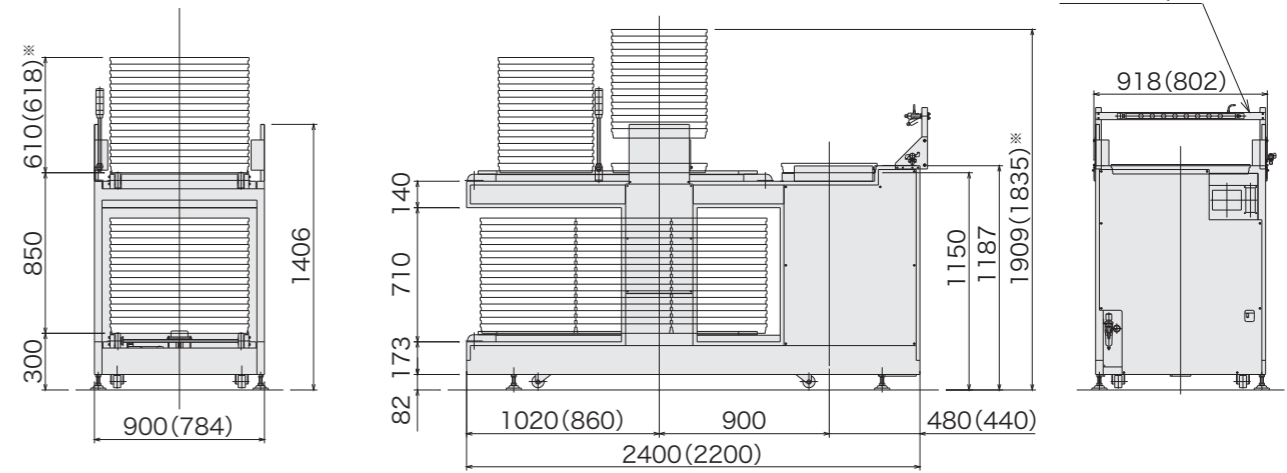
Stocks up to 51 pallets

Double deck type

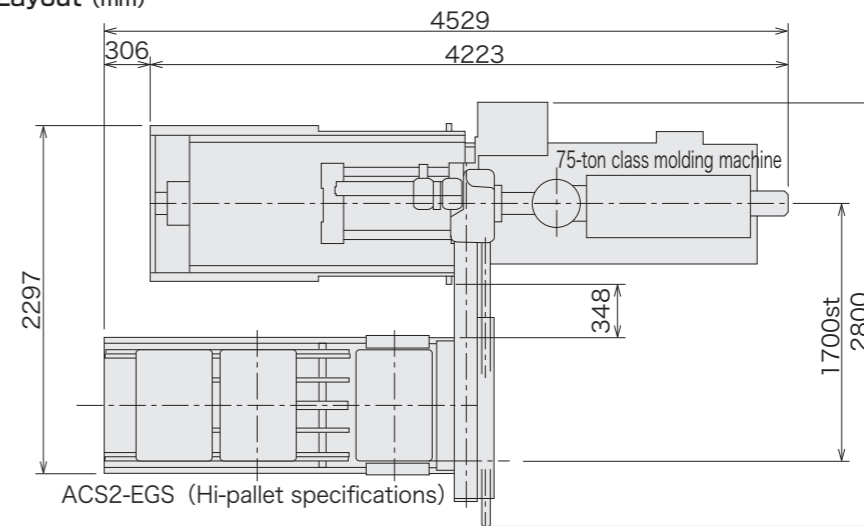
Exclusively for all-axis servo driven take-out robots

\* Photo shows Injection Hi-pallet specifications

### Dimensional Drawing (mm)



### Example of Layout (mm)



### Options

Anti-electrostatic device	Signal light	Custom color	Pallet cart	XL pallet specification	Side-mount control panel
<input type="radio"/>	Green, yellow, and red	<input type="radio"/>	EGS wagon	<input type="radio"/>	<input type="radio"/>

### EGS Wagon for Transporting Pallets



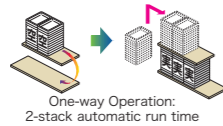
Smoothly transports and transits one stack of pallets to or from the stocker.

ACS2-EGS

Stock System

### Small Stoker with Multi-level Stocking for Longer Hours of Operation

The ACS2-EGS has a stocking capacity of 3 stacks of pallets despite its small profile.



### Using Plastic Covered Chains

The ACS2-EGS uses chains with plastic covers for pallet transport, which prevents meandering and resists work floor dust and contaminants.

### Uniform Logistics Line

The pallet entry and exit points are both located next to the molding machine clamp end to make shop floor layouts more organized and effective.

### Specialized for Yushin Pallets

The ACS2-EGS can handle all sizes of pallets, S, M, L, and LL, which have different depths. (Injection Hi-pallets, and Fine-pallets may not be used together.)

### Standard Specifications

Power supply	Power consumption	Working air pressure	Air consumption	Drive method	Control method	Payload
200 VAC (50/60 Hz)	3 phase 200 VAC 5 A	0.49MPa	0.3NL/cycle	Air cylinder/Induction motor	Sequence control	40 kg/stack
Applicable pallets		Number of pallets stocked *1			Case changeout time	
Injection Hi-pallets S, M, L, LL, XL4*, XL3*	Fine-pallets S, M, L	S : 17/ <19> pallets × 3 stacks	M : 11/ <10> pallets × 3 stacks	L : 7/ <7> pallets × 3 stacks	60Hz/7.0sec 50Hz/8.0sec (Depends on pallet size)	
		LL : 4 pallets × 3 stacks	XL4 : 3 pallets × 3 stacks*	XL3 : 2 pallets × 3 stacks*		

\*1 Hi-pallet specifications/Number in < > is for Fine-pallet specifications  
Fine pallets are not available in LL and XL sizes.  
\* XL specifications are optional