

Separate catalog available

## ACS2-EG-C

Installable in conveyor spaces, the compact ACS2-EG-C easily saves both space and labor

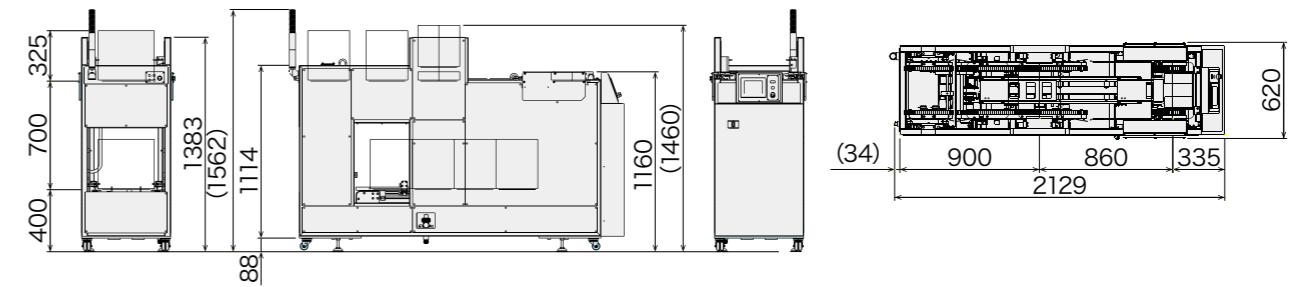


Clamping force 30 - 150 tf

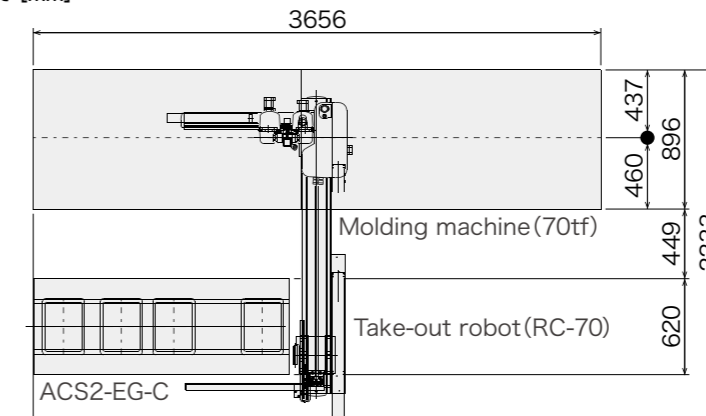
For all types of products      Stocks up to 42 commercial pallets

Multi-level stock circulation type with double deck      Exclusively for all-axis servo driven take-out robots

### Dimensional Drawing [mm]



### Example of Layout [mm]



### Options

Anti-electrostatic device	Signal light	Circular operation for increasing capacity
○	Green, yellow, and red	Pallet circulation specifications (up to 7 stacks possible)

### List of Applicable Pallets (Manufactured by SANKO)

	Product name	Product image	External dimensions [mm]	Internal dimensions [mm]	Effective dimensions [mm]	Single pallet weight [kg]	Shipping unit*
S	SAN-box #5-3B		363 × 270 × 60	318 × 243 × 47	315 × 238 × 40	0.68	20
M	SAN-box #5-3		363 × 270 × 70	318 × 243 × 56	315 × 238 × 50	0.75	20
L	SAN-box #9B-4		363 × 270 × 133	318 × 243 × 127	307 × 232 × 121	0.75	20

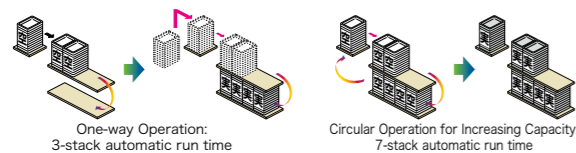
\* Additional shipping costs are charged when the order includes less than the quantity listed.

ACS2-EG-C

Stock System

### Stock for Longer Hours by Adding the Optional Circular Operation for Increasing Capacity

Doubles the stocking duration by using a mechanism to lift empty stacks on the lower level to the upper level.



### Installable in Conveyor Spaces

27 % smaller width compared to previous models. All the conventional functions in a smaller body.

### Space Saving

Takes up 56 % less space compared to previous models. Compact stock system can help solve labor shortages.

### Standard Specifications

Power supply	Power consumption	Working air pressure	Air consumption	Drive method	Control method	Payload
AC200 V (50/60 Hz)	1 kVA AC200 V 5.0 A	0.49 MPa	0.6 NL/cycle	Air cylinder/Induction motor	Sequence control	20 kg/stack
Applicable pallets	Number of pallets stocked			Case changeout time		
	S pallet : H60	M pallet : H70	L pallet : H133			
SAN-box manufactured by SANKO Co., Ltd. #5-3B, #5-3, #9B-4	6 pallets × 4 stacks	5 pallets × 4 stacks	2 pallets × 4 stacks	8.0 sec		