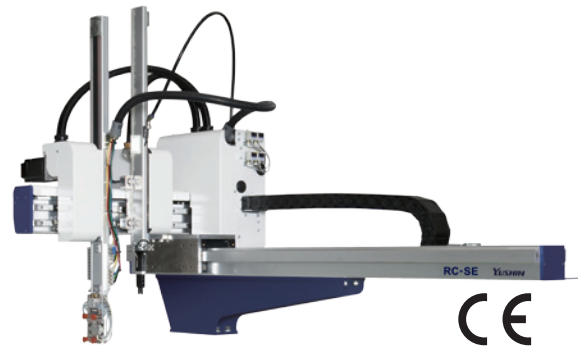


Separate catalog available

RC-0103S/D-SE

Offering speed, reliability and energy savings with a wide range of scalable functions



For CE supported languages, please contact our sales department.

Clamping force 30tf or less

Vibration control

Power-saving

All-axis servo-driven

Running Cost Reduction Compressed Air Economizing Tool Smart ECO Vacuum

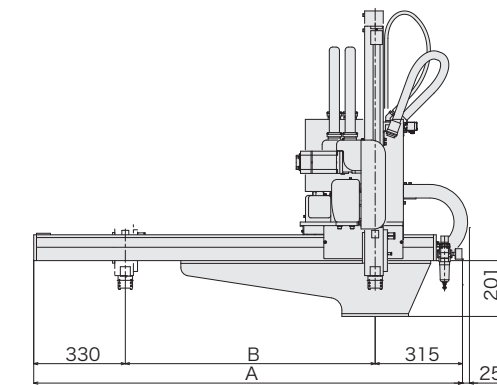
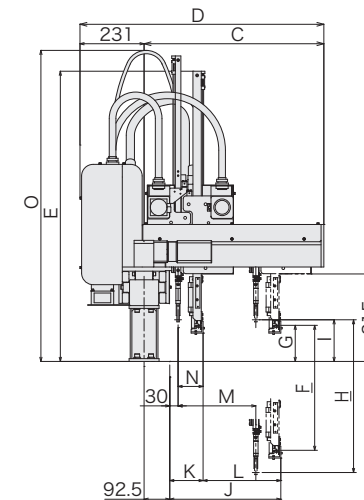
Yushin has refined our unique ECO Vacuum technology to reduce compressed air consumption even further. Smart ECO Vacuum monitors vacuum pressure continuously to optimize suction timing. As a result, robot air consumption can be economized by as much as 78%, which can lead to lower electricity costs for air compressors and reduced capital expenditures.

Standard Specifications

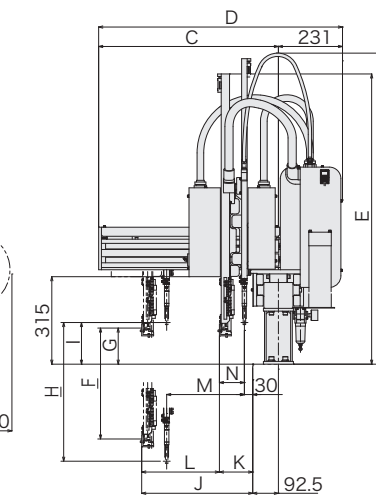
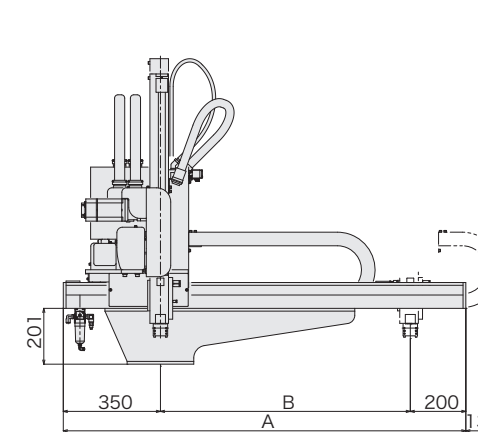
| Model | Power consumption | Traverse stroke [mm] | Kick stroke [mm] | | Vertical stroke [mm] | | Air consumption [NL/cycle] | Payload [kg] | Target IMM clamp capacity [tf] |
|-------------|--|-------------------------|------------------|--------------|----------------------|---------|-----------------------------|--------------|--------------------------------|
| | | | Main arm | Sub arm | Main arm | Sub arm | | | |
| RC-0103S-SE | 1.7 kVA Single phase 200 VAC 8.5 A | 900 (1200) (1600) | 320 (470) | — | 450 | — | 2.9 Smart ECO Vacuum OFF | 2 «3» | 30 or less |
| RC-0103D-SE | 2.2 kVA Single phase 200 VAC 10.8 A | | 280 (430) | 280 (430) | | 550 | 1.0 Smart ECO Vacuum ON | | |

S type : Robot is equipped with main arm only. D type : Robot is equipped with main arm and sub arm.
() : Modified stroke () : Increased maximum payload
Payload includes the end-of-arm tool.
The extended traverse stroke option includes the extended kick stroke as a set.

Rear (Non-operator) Side Discharge Direction (mm)



Operator Side Discharge Direction (mm)

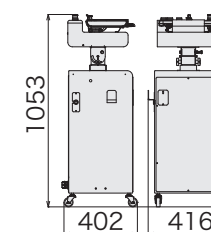


[mm]

| Model | A | | B | C | D | E | F | G | H | I | J | K | L | M | N | O |
|-------------|-----------------------------------|--|---------------|--------------|---------------|------|-----|-----|-----|-----|--------------|-----|--------------|--------------|----|----------------|
| | Operator Side Discharge Direction | Rear (Non-operator) Side Discharge Direction | | | | | | | | | | | | | | |
| RC-0103S-SE | 1450 (1750) | 1545 (1845) | 900 (1200) | 648 (798) | 879 (1029) | 1045 | 450 | 130 | — | — | 400 (550) | 80 | 320 | — | — | — |
| RC-0103D-SE | (2150) | (2245) | (1600) | (798) | (1029) | | | | 550 | 150 | (550) | 120 | 280 (430) | 280 (430) | 90 | 1100 (1200) |

() : Modified stroke

Controller (mm)



All-Axis Servo Driven Type

Swing Type

Side Entry Type

For Vertical Molding Machine

Stock System

Product Series Guide [P11]

All-Axis Servo Driven Type Take-Out Robot

RC-0103S/D-SE