

1 All-Axis Servo Driven Type Take-Out Robot

RCII-100S/D, RCII-150S/D, RCII-250S/D

RC II -100S/D, RC II -150S/D, RC II -250S/D

Offering speed, reliability, and energy savings with a wide range of scalable functions



- Clamping force **80 - 300 tf**
- High end
- Vibration control
- Power-saving
- Low posture (Double speed mechanism)
- All-axis servo-driven



For CE supported languages, Please contact our sales department.

Developed on the Basic Concepts of Speed, Reliability, and Efficiency

- **High-speed**
Completely redesigned arm and kick units dramatically reduce take-out time compared to previous models.
- **Reliability**
Increased rigidity of the take-out robot and vibration damping applied to the arm delivers steady take-out and release action.
- **Energy saving**
The standard-equipped ECO Vacuum reduces air consumption while manipulating molded parts to lower operating costs for the user.
- **E-touch II**
The RC series' advanced E-touch II features a 10.4-inch full-color touch screen for easy operation.

Standard Specifications

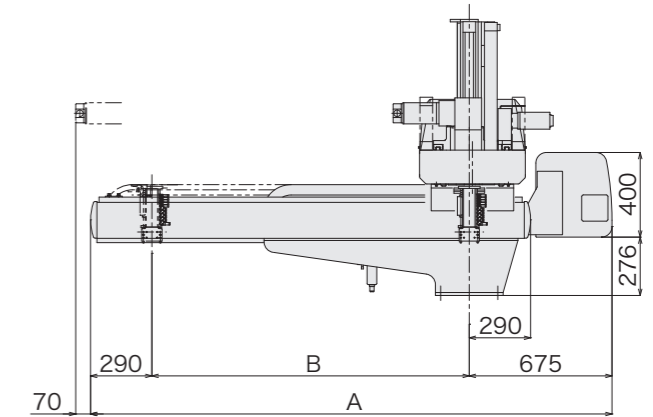
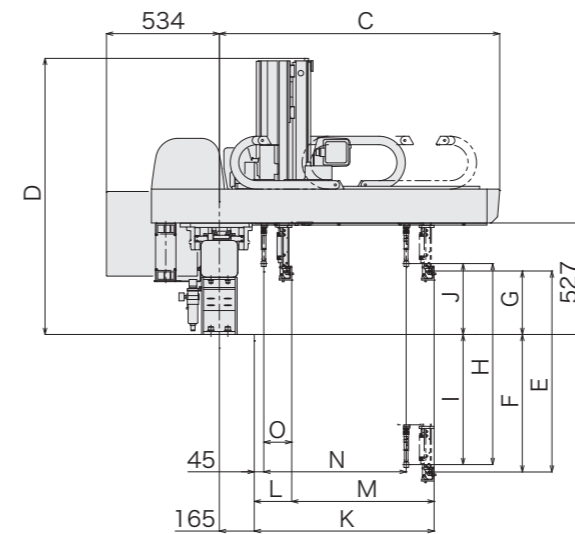
Power supply		Drive method		Controller model		Working air pressure		Flip angle	
200/220 VAC (50/60 Hz) 3 phase		Digital servo motor 3/5-axis		E-touch II		0.49MPa		90°	

Model	Power consumption		Traverse stroke (mm)	Kick stroke (mm)		Vertical stroke (mm)		Air consumption (NL/cycle)	Payload (kg)	Target IMM clamp capacity (tf)			
	S	D		Main arm	Sub arm	Main arm	Sub arm						
RCII-100S	2.7 kVA 3 phase 200 VAC 7.6 A	3.6 kVA 3 phase 200 VAC 10.4 A	1100	583	—	700	(850)	(850)	8.1 (ECO Vacuum OFF)	5	80		
RCII-100D				523	523		(950)					700	(950)
RCII-150S				583	—		(1300)					—	(1300)
RCII-150D				523	523		(1550)					850	(1550)
RCII-250S				733	—		(1100)					—	(1100)
RCII-250D	673	673	(1300)	950	(1300)								
								9.2 (ECO Vacuum OFF)					
								2.5 (ECO Vacuum ON)		300			

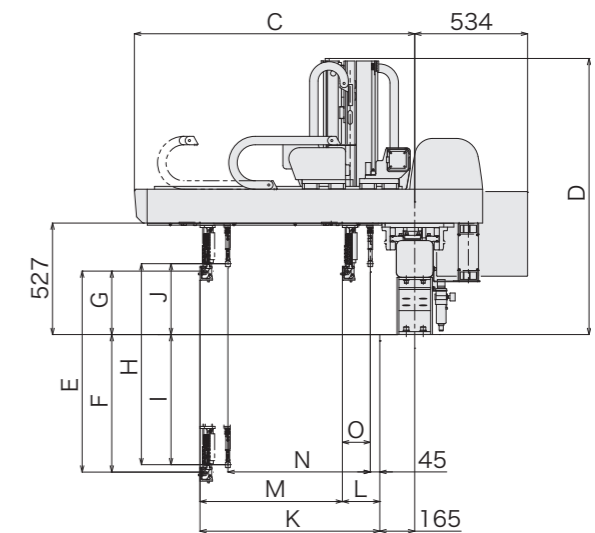
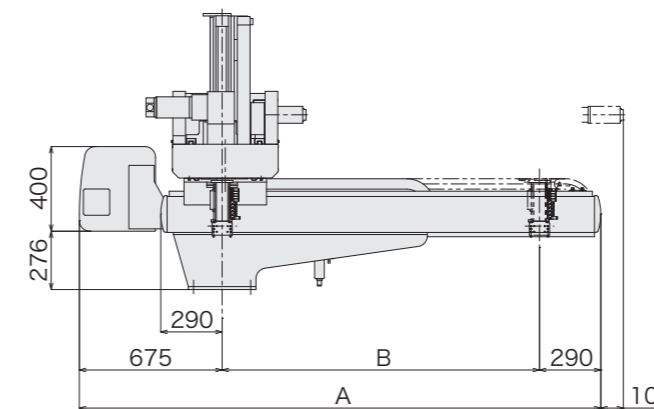
S type : Robot is equipped with main arm only. D type : Robot is equipped with main arm and sub arm. Stanchion is standard equipment for 2,200 mm or longer traverse stroke.
() : Modified stroke () : Increased maximum payload Payload includes the end-of-arm tool.

Separate catalog available

■ Rear (Non-operator) Side Discharge Direction (mm)



■ Operator Side Discharge Direction (mm)

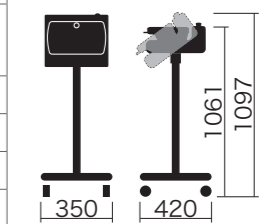


(mm)

Model	A	B	C	D		E		F		G	H						
RCII-100S	2065 (2465) (2665) (2865) (3165) (3465)	1100 (1500) (1700) (1900) (2200) (2500)	1175	1180	(1255)	700	(850)	400	(550)	300	—	(850)					
RCII-100D					(1305)		(950)		(650)			(1100)	(800)	(1300)	(1000)	(1250)	(950)
RCII-150S					(1480)		(1100)		(800)			(1300)	(1000)	(1250)	(1550)	(1100)	
RCII-150D	2465 (2665) (2865) (3165) (3465)	1500 (1700) (1900) (2200) (2500)	1325	1305	(1380)	850	(1100)	550	(800)	—	—	(1100)					
RCII-250S					(1480)		(1300)		(1000)			(1250)	(1300)	(1550)	(1300)		
RCII-250D					(1605)		(1550)		(1250)			(1550)	(1550)	(1550)	(1550)	(1550)	

Model	I	J	K	L	M	N	O
RCII-100S	—	—	—	117	583	—	—
RCII-100D	365	—	700	177	523	523	132
RCII-150S	—	—	—	117	583	—	—
RCII-150D	515	—	335	177	523	523	132
RCII-250S	—	—	—	117	733	—	—
RCII-250D	615	—	335	177	673	673	132

■ Controller (mm)



() : Modified stroke

Adjustable viewing angle feature is optional.

RCII-100S/D, RCII-150S/D, RCII-250S/D

All-Axis Servo Driven Type Take-Out Robot