

# 1 All-Axis Servo Driven Type Take-Out Robot

RC2-1015S/D-SE, 1525S/D-SE, 2535S/D-SE

Separate catalog available

## RC2-1015S/D-SE, 1525S/D-SE, 2535S/D-SE

Offering speed, reliability and energy savings with a wide range of scalable functions

Clamping force 100 - 350tf

Vibration control

Power-saving

Low posture (Double speed mechanism)

All-axis servo-driven



For CE supported languages, please contact our sales department.

Developed to achieve "high-speed, high-rigidity," "downtime reduction," and "running cost reduction."

- Compressed air economizing tool Smart ECO Vacuum  
Yushin has refined our unique ECO Vacuum technology to reduce compressed air consumption even further. Smart ECO Vacuum monitors vacuum pressure continuously to optimize suction timing. As a result, robot air consumption can be economized by as much as 78%, which can lead to lower electricity costs for air compressors and reduced capital expenditures.

- Productivity improvement  
Faster, more accurate high-speed take-out with standard machines  
High-rigidity vertical and kick units ensure fast, accurate operations.
- E-touch II  
Equipped with easy-to-use E-touch II controller with 10.4-inch display for intuitive operation.

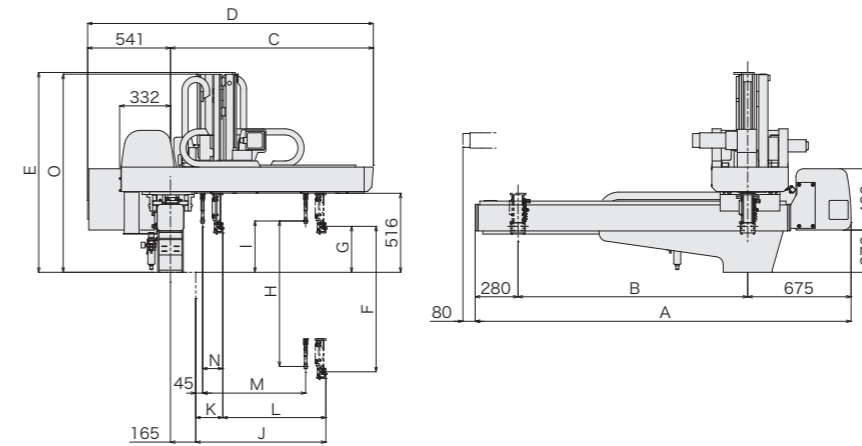
### Standard Specifications

Power supply	Drive method	Controller model	Working air pressure	Flip angle
200/220 VAC (50/60 Hz) 3 phase	Digital servo motor 3/5-axis	E-touch II	0.49MPa	90°

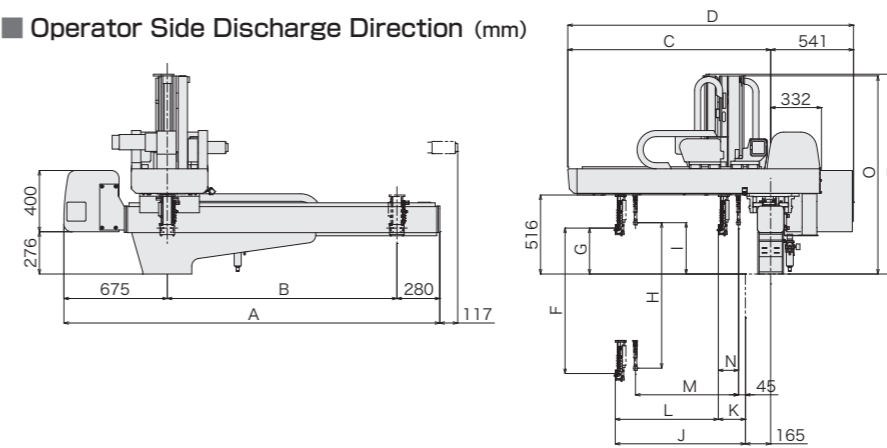
Model	Power consumption		Traverse stroke [mm]	Kick stroke [mm]		Vertical stroke [mm]				Air consumption [NL/cycle]	Payload [kg]	Target IMM clamp capacity [tf]	
	S	D		Main arm	Sub arm	Main arm	Sub arm	Main arm	Sub arm				
RC2-1015S-SE	2.7 kVA 3 phase 200 VAC 7.6 A	3.6 kVA 3 phase 200 VAC 10.4 A	1100	—	583	—	700	(850)	—	(850)	8.1 Smart ECO Vacuum OFF 2.2 Smart ECO Vacuum ON	5	100
RC2-1015D-SE					523	523		(950)	700	(950)			150
RC2-1525S-SE					583	—		(1100)	—	(1100)			—
RC2-1525D-SE			523	523	(1300)	—	(1300)	850	(1550)	8.8 Smart ECO Vacuum OFF 2.0 Smart ECO Vacuum ON		150	
RC2-2535S-SE			733	—	(2200)	—	(2200)	—	—	9.2 Smart ECO Vacuum OFF 2.3 Smart ECO Vacuum ON		250	
RC2-2535D-SE			673	673	(2500)	950	(1100)	—	(1100)	(1300)		(1550)	350

S type : Robot is equipped with main arm only. D type : Robot is equipped with main arm and sub arm. Stanchion is standard equipment for 2,200 mm or longer traverse stroke. ( ) : Modified stroke ( ) : Increased maximum payload Payload includes the end-of-arm tool.

Rear (Non-operator) Side Discharge Direction (mm)



Operator Side Discharge Direction (mm)

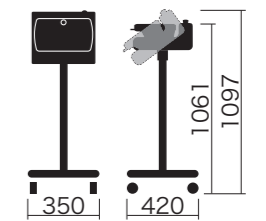


[mm]

Model	A	B	C	D	E	F	G	H
RC2-1015S-SE	2055 (2455) (2655)	1100 (1500) (1700)	1175	1716	1180 (1255) (1305)	700 (850) (950)	300	—
RC2-1015D-SE	(2855) (3155) (3455)	(1900) (2200) (2500)			1380 (1480) (1605)	(1100) (1300) (1550)		700 (850) (950) (1100) (1300) (1550)
RC2-1525S-SE	2455 (2655) (2855) (3155) (3455)	1500 (1700) (1900) (2200) (2500)	1325	1866	1255 (1305) (1380)	850 (950) (1100)		—
RC2-1525D-SE					1480 (1605)	(1300) (1550)		850 (950) (1100) (1300) (1550)
RC2-2535S-SE					1305 (1380) (1480)	950 (1100) (1300)		—
RC2-2535D-SE	(1605)	(1550)	950 (1100) (1300) (1550)					

Model	I	J	K	L	M	N	O
RC2-1015S-SE	—	700	117	583	—	—	—
RC2-1015D-SE	335		177	523	523	132	1174 (1246) (1294) (1370) (1598)
RC2-1525S-SE	—	850	117	583	—	—	—
RC2-1525D-SE	335		177	523	523	132	1246 (1294) (1370) (1598)
RC2-2535S-SE	—	850	117	733	—	—	—
RC2-2535D-SE	335		177	673	673	132	1294 (1370) (1598)

Controller (mm)



( ) : Modified stroke

(Adjustable viewing angle feature is optional)

RC2-1015S/D-SE, 1525S/D-SE, 2535S/D-SE

All-Axis Servo Driven Type Take-Out Robot