

1 All-Axis Servo Driven Type Take-Out Robot

RC2-3550-DW-SE

Separate catalog available

RC2-3550-DW-SE

Saving space with a two-in-one composite system that performs insertion, inspection, cutting, assembly, and more

Clamping force 350 - 500 tf

Vibration control

Power-saving

Low posture (Double speed mechanism)

All-axis servo-driven



Single Unit that Performs Multiple Roles

The RC-DW-SE series consolidates a take-out robot and a handling robot into one versatile unit. Take-out and handling units operate independently and enable one RC-DW-SE to do the work of two conventional robots; an ideal solution for multi-process automated molding systems.

Supports a Variety of Complex Automated Systems

The RC-DW-SE's two robot units team up to efficiently handle insert molding, vision inspection, gate cutting, assembly, molded part inspection, and many other value-added processes.

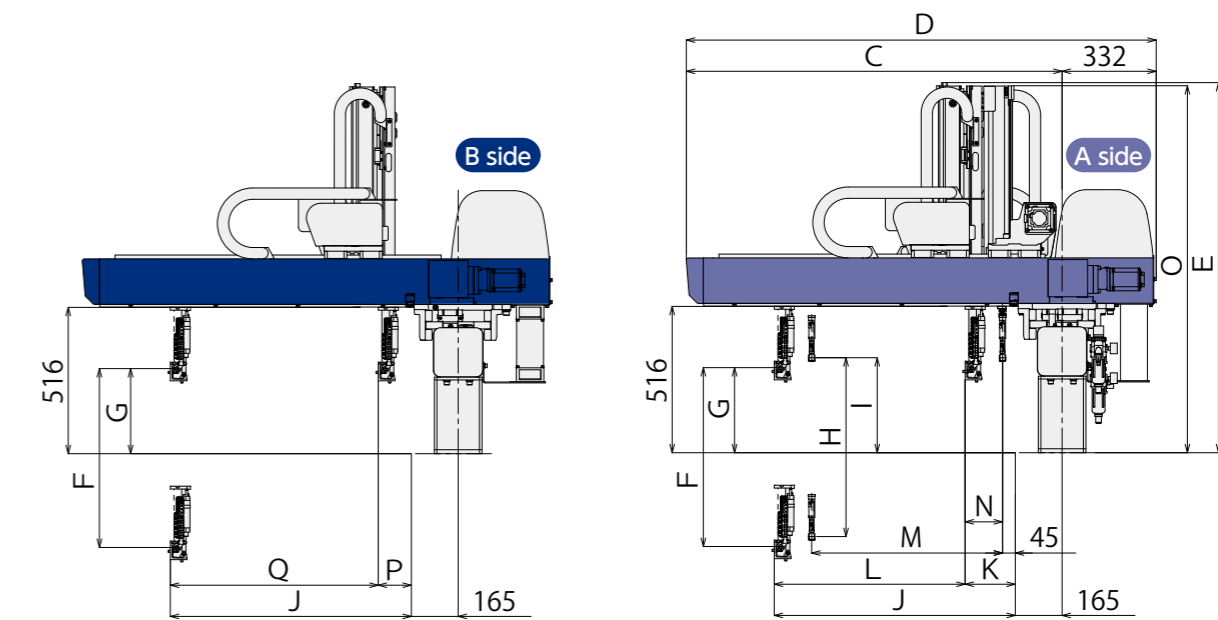
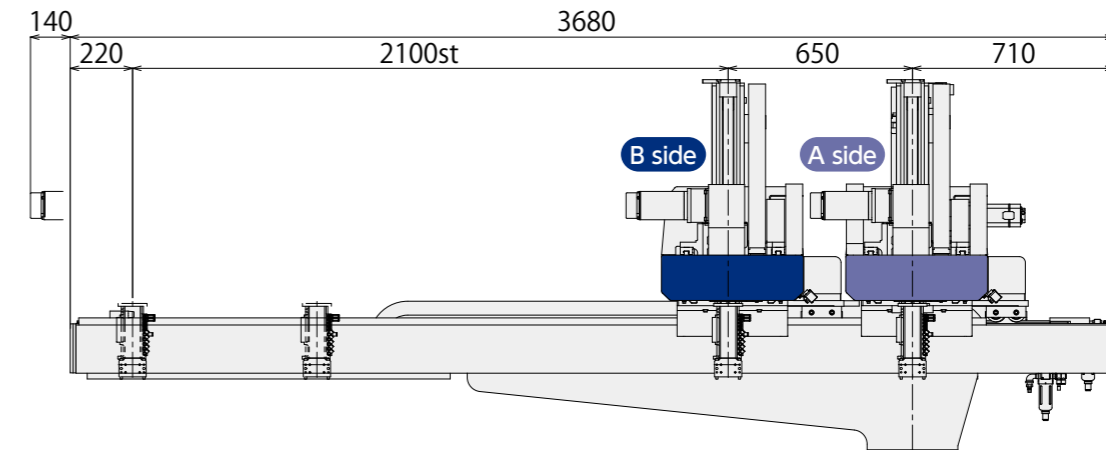
Standard Specifications

Power supply	Drive method	Controller model	Working air pressure	Flip angle
3 phase AC200/220 V (50/60 Hz)	Digital servo motor 6/8/10-axis	E-touch II	0.49 MPa	90°

Model	Power consumption 3 phase [A MAX]	Traverse stroke [mm]	A side				B side				Air consumption [NL/cycle]	Payload [kg]	Target IMM clamp capacity [tf]
			Kick stroke [mm]		Vertical stroke [mm]		Kick stroke [mm]		Vertical stroke [mm]				
			Main arm	Sub arm	Main arm	Sub arm	Main arm	Sub arm	Main arm	Sub arm			
RC2-3550	M-MS-SE	6.3kVA AC200 V 18.0 A	978	-	1100	-	918	918	1100	24.4 Smart ECO VacuumOFF 6.7 Smart ECO VacuumON	10	350 500	
	MS-M-SE	6.3kVA AC200 V 18.0 A	918	918		1100	978	-					
	MS-MS-SE	7.2kVA AC200 V 20.8 A	918	918		1100	918	918					
	M-M-SE	5.3kVA AC200 V 15.3 A	978	-		-	978	-					

(Arm units for the A side and B side may be selected by the customer according to the application.)
Payload includes the end-of-arm tool.

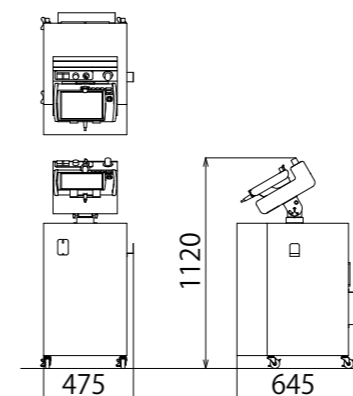
MS-M Rear (Non-operator) Side Discharge Direction [mm]



Model	C	D	E	F	G	H	I	J	K	L	M	N	O	P	Q
RC2-3550-MS-M-SE	1575	1907	1380	1100	176	1100	216	1100	182	918	918	137	1374	122	978

Reinforced stanchions need to be installed.

Controller [mm]



All-Axis Servo Driven Type

Swing Type

Side Entry Type

For Vertical Molding Machine

Stock System

Product Series Guide [P11]

All-Axis Servo Driven Type Take-Out Robot

RC2-3550-DW-SE