

# 1 All-Axis Servo Driven Type Take-Out Robot

RC2-5080S/D-SE

Separate catalog available

## RC2-5080S/D-SE

Offering speed, reliability and energy savings with a wide range of scalable functions



For CE supported languages, please contact our sales department.

Clamping force 500 - 800 tf

Vibration control

Power-saving

Low posture (Double speed mechanism)

All-axis servo-driven

Developed to achieve "high-speed, high-rigidity," "downtime reduction," and "running cost reduction."

- Compressed air economizing tool Smart ECO Vacuum  
Yushin has refined our unique ECO Vacuum technology to reduce compressed air consumption even further. Smart ECO Vacuum monitors vacuum pressure continuously to optimize suction timing. As a result, robot air consumption can be economized by as much as 78%, which can lead to lower electricity costs for air compressors and reduced capital expenditures.

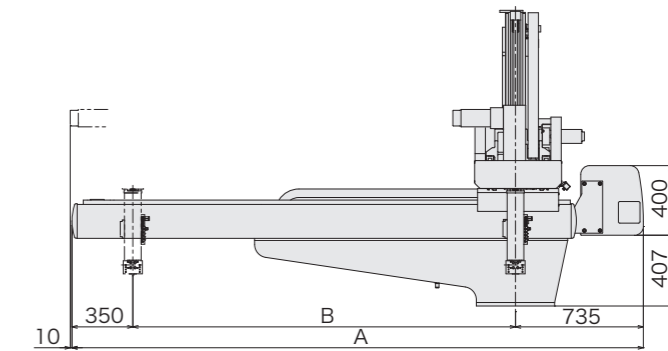
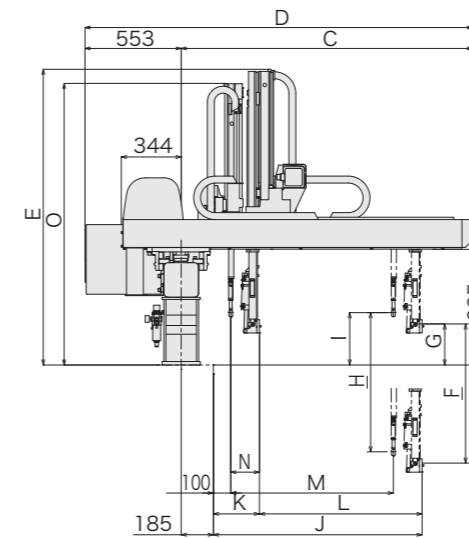
- Productivity improvement  
Faster, more accurate high-speed take-out with standard machines  
High-rigidity vertical and kick units ensure fast, accurate operations.
- E-touch II  
Equipped with easy-to-use E-touch II controller with 10.4-inch display for intuitive operation.

### Standard Specifications

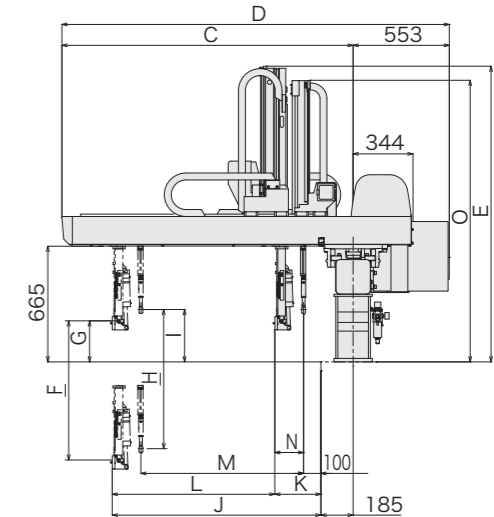
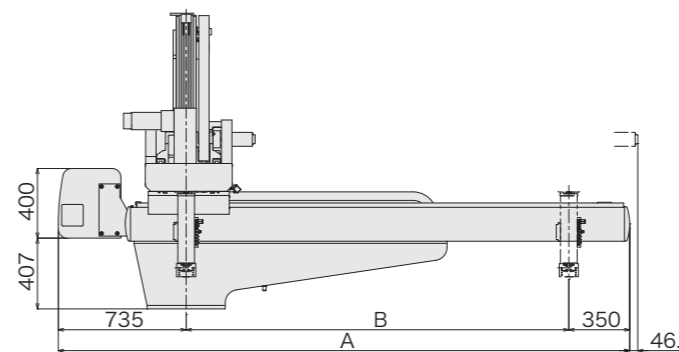
Power supply	Drive method	Controller model	Working air pressure	Flip angle					
200/220 VAC (50/60 Hz) 3 phase	Digital servo motor 3/5-axis	E-touch II	0.49MPa	90°					
Model	Power consumption	Traverse stroke [mm]	Kick stroke [mm]		Vertical stroke [mm]		Air consumption [NL/cycle]	Payload [kg]	Target IMM clamp capacity [tf]
			Main arm	Sub arm	Main arm	Sub arm			
RC2-5080S-SE	2.7 kVA 3 phase 200 VAC 7.6 A	2200 (2500)	1065	—	1300 (1550)	—	17.2 Smart ECO Vacuum OFF 4.7 Smart ECO Vacuum ON	15 (20)	500-800
RC2-5080D-SE	3.6 kVA 3 phase 200 VAC 10.4 A		935	935		1300 (1550)			

S type : Robot is equipped with main arm only. D type : Robot is equipped with main arm and sub arm.  
( ) : Modified stroke ( ) : Increased maximum payload  
Payload includes the end-of-arm tool.

Rear (Non-operator) Side Discharge Direction (mm)



Operator Side Discharge Direction (mm)

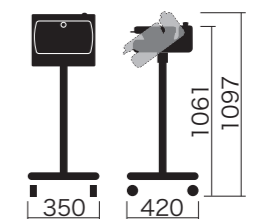


[mm]

Model	A	B	C	D	E	F	G	H	I
RC2-5080S-SE	3285 (3585)	2200 (2500)	1674	2228	1700 (1825)	1300 (1550)	236	—	—
RC2-5080D-SE								1300 (1550)	301

Model	J	K	L	M	N	O
RC2-5080S-SE	1200	135	1065	—	—	—
RC2-5080D-SE		265	935	935	165	1619 (1747)

Controller (mm)



( ) : Modified stroke

(Adjustable viewing angle feature is optional.)

RC2-5080S/D-SE

All-Axis Servo Driven Type Take-Out Robot