

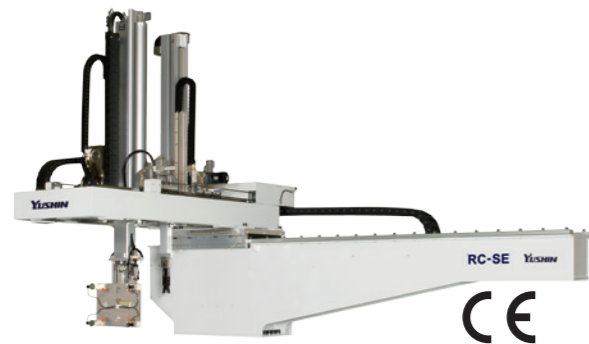
1 All-Axis Servo Driven Type Take-Out Robot

RC2-80100S/D-SE

Separate catalog available

RC2-80100S/D-SE

Offering speed, reliability and energy savings with a wide range of scalable functions



For CE supported languages, please contact our sales department.

Clamping force 800 - 1000 tf

Vibration control

Power-saving

LOW Low posture (Double speed mechanism)

All-axis servo-driven

Developed to achieve "high-speed, high-rigidity," "downtime reduction," and "running cost reduction."

●Compressed air economizing tool Smart ECO Vacuum
Yushin has refined our unique ECO Vacuum technology to reduce compressed air consumption even further. Smart ECO Vacuum monitors vacuum pressure continuously to optimize suction timing. As a result, robot air consumption can be economized by as much as 78%, which can lead to lower electricity costs for air compressors and reduced capital expenditures.

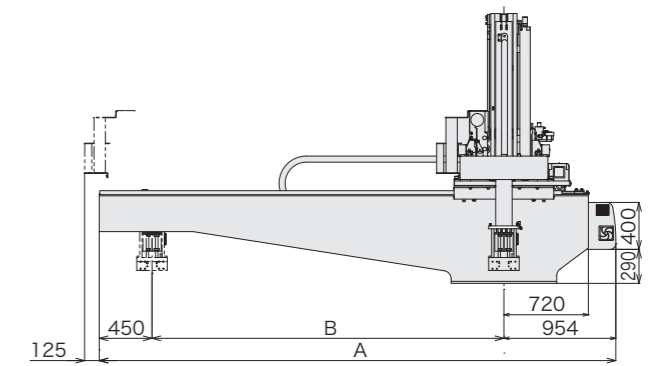
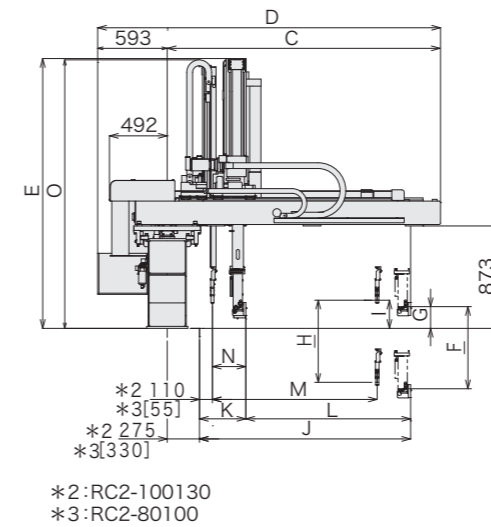
●Productivity improvement
Faster, more accurate high-speed take-out with standard machines
High-rigidity vertical and kick units ensure fast, accurate operations.
●E-touch II
Equipped with easy-to-use E-touch II controller with 10.4-inch display for intuitive operation.

Standard Specifications

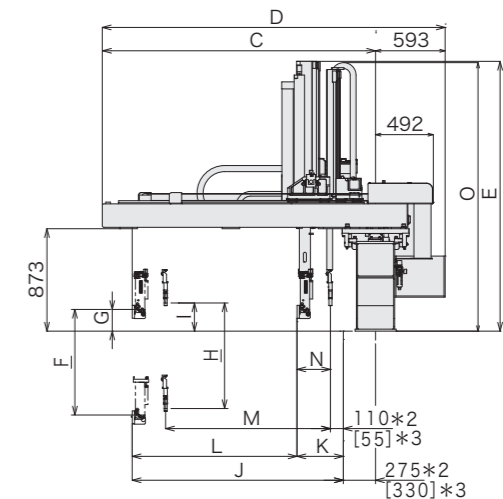
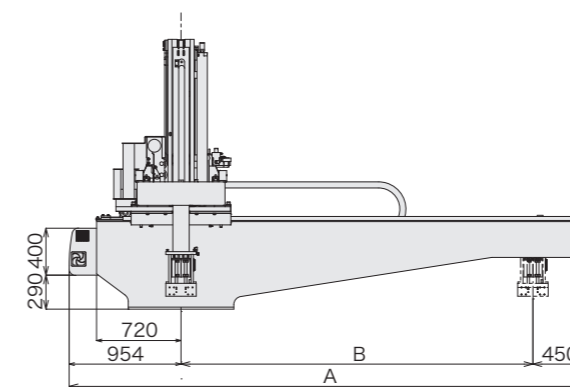
Power supply		Drive method		Controller model		Working air pressure		Flip angle	
200/220 VAC (50/60 Hz) 3 phase		Digital servo motor 3/5-axis		E-touch II		0.49MPa		90°	
Model	Power consumption	Traverse stroke [mm]	Kick stroke [mm]		Vertical stroke [mm]		Air consumption [NL/cycle]	Payload [kg]	Target IMM clamp capacity [tf]
			Main arm	Sub arm	Main arm	Sub arm			
RC2-80100S-SE	2.7 kVA 3 phase 200 VAC 7.6 A	2000 (2500) (3000) (3500) (4500)	1140	—	1550 (1800) (2100) (2500)	—	49.4 Smart ECO Vacuum OFF	25 (35) (50)	800-1000
RC2-80100D-SE	3.6 kVA 3 phase 200 VAC 10.4 A	2000 (2500) (3000) (3500) (4500)	970	970	1550 (1800) (2100) (2500)	1550 (1800) (2100) (2500)	35.0 Smart ECO Vacuum ON	25 (35) (50)	800-1000

S type : Robot is equipped with main arm only. D type : Robot is equipped with main arm and sub arm.
() : Modified stroke () : Increased maximum payload
Payload includes the end-of-arm tool.

Rear (Non-operator) Side Discharge Direction (mm)



Operator Side Discharge Direction (mm)

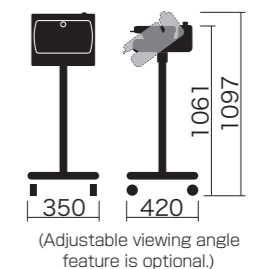


[mm]

Model	A	B	C	D	E	F	G	H	I
RC2-80100S-SE	3404 (3904) (4404) (4904) (5904)	2000 (2500) (3000) (3500) (4500)	1895	2488	2175 (2300) (2450) (2650)	1550 (1800) (2100) (2500)	330	—	—
RC2-80100D-SE								1550 (1800) (2100) (2500)	385

Controller (mm)

Model	J	K	L	M	N	O
RC2-80100S-SE		160	1140	—	—	—
RC2-80100D-SE	1300	330	970	970	275	2147 (2265) (2453) (2613)



() : Modified stroke

RC2-80100S/D-SE

All-Axis Servo Driven Type Take-Out Robot