

# 1 All-Axis Servo Driven Type Take-Out Robot

SC-150S/D, SC-250S/D

Separate catalog available

## SC-150S/D, SC-250S/D

No need for adjustment of the molding machine  
Providing energy savings and improved productivity with excellent cost efficiency



For CE supported languages. Please contact our sales department.

Clamping force 100 - 350tf

Economy

Vibration control

Optimized design + Power-saving

All-axis servo-driven

### Economically Reduces Operating Costs and Increases Productivity

This series comes with the ECO Vacuum function to reduce air consumption, ECO mode\* that allows the robot to run using less power, and an ECO Monitor that displays the robot's air and power consumption in real-time to help save energy on the work floor and to economically reduce operating costs.

### Equipped with E-touch Lite-SC as standard



- ECO Vacuum®
- ECO mode\*
- ECO Monitor®
- Lead Through Teaching

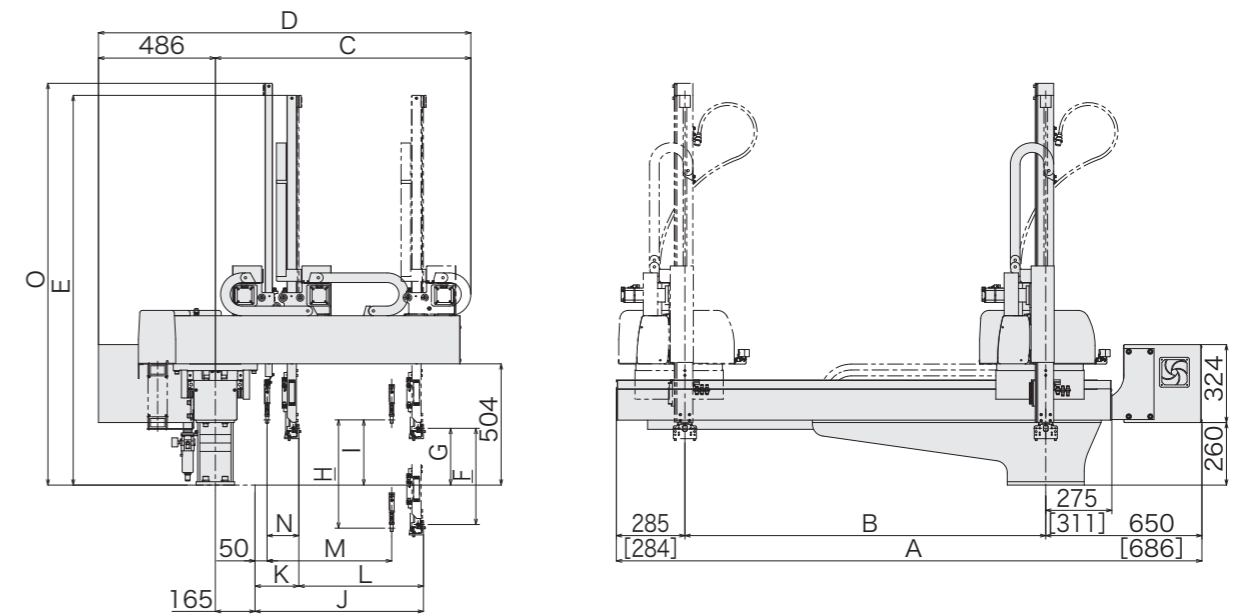
\* This mode automatically adjusts the traverse travel speed to meet the molding cycle requirements while minimizing power consumption.

### Standard Specifications

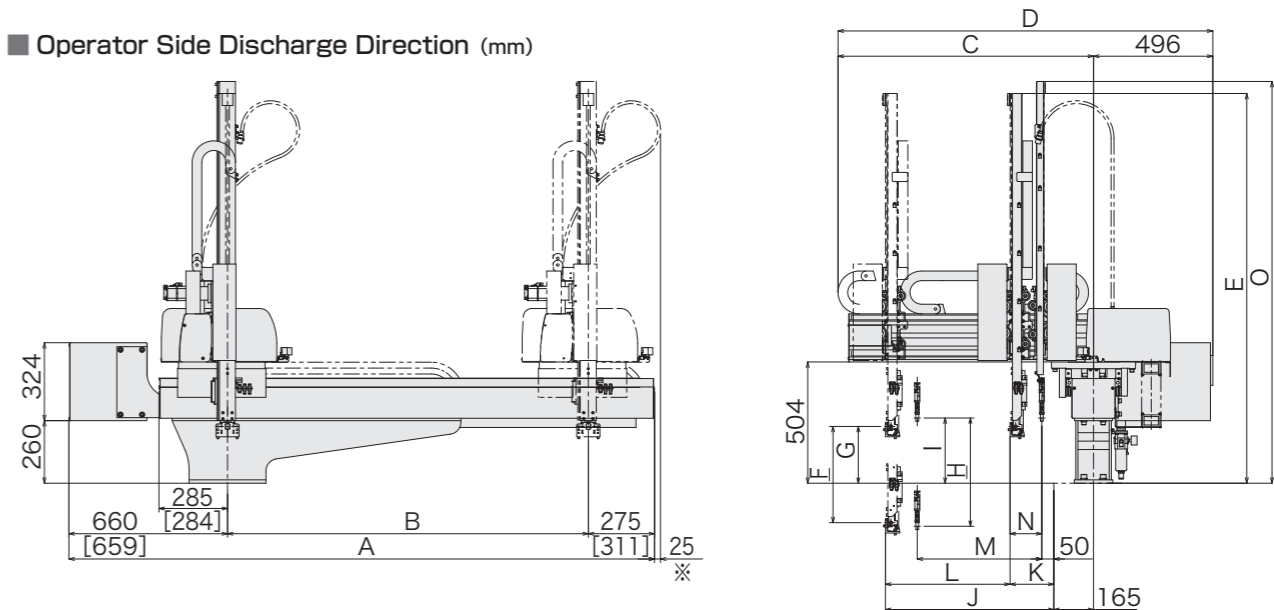
Power supply		Drive method		Controller model		Working air pressure		Flip angle	
200/220 VAC (50/60 Hz) Single phase		Digital servo motor 3/5-axis		E-touch Lite-SC		0.49MPa		90°	
Model	Power consumption	Traverse stroke (mm)	Kick stroke (mm)		Vertical stroke (mm)		Air consumption (NL/cycle)	Payload (kg)	Target IMM clamp capacity (tf)
			Main arm	Sub arm	Main arm	Sub arm			
SC-150S	S type 1.5kVA 200 VAC 7.5A	1500 (1700) (1900)	578	—	800 (900)	—	2.4 (ECO Vacuum Specification)	5	100-250
SC-150D			518	518	850 (950)	—			
SC-250S	D type 1.9kVA 200 VAC 9.5A		728	—	900 (1000)	—	2.7 (ECO Vacuum Specification)		
SC-250D			668	668	950 (1050)	—			

S type : Robot is equipped with product take-out arm only. D type : Robot is equipped with product take-out arm and runner take-out arm.  
( ) : Modified stroke  
Payload includes the end-of-arm tool.

### Rear (Non-operator) Side Discharge Direction (mm)



### Operator Side Discharge Direction (mm)



(mm)

Model	A	B	C	D		E	F	G
				Operator Side Discharge Direction	Rear (Non-operator) Side Discharge Direction			
SC-150S	2435 (2670) (2835)	1500 (1700) (1900)	1065	1561	1551	1620 (1724)	800 (900)	236
SC-250S				1716	1706			
SC-250D			1220	1220	1706	1706		
Model	H	I	J	K	L	M	N	O
SC-150S	—	—	700	122	578	—	—	—
SC-150D	850 (950)	271		182	518	518	132	1670 (1774)
SC-250S	—	—	850	122	728	—	—	—
SC-250D	950 (1050)	271		182	668	668	132	1774 (1870)

( ) : Modified stroke  
[ ] : With modified traverse stroke (1700 mm)  
※ : Reference values

SC-150S/D, SC-250S/D

All-Axis Servo Driven Type Take-Out Robot