

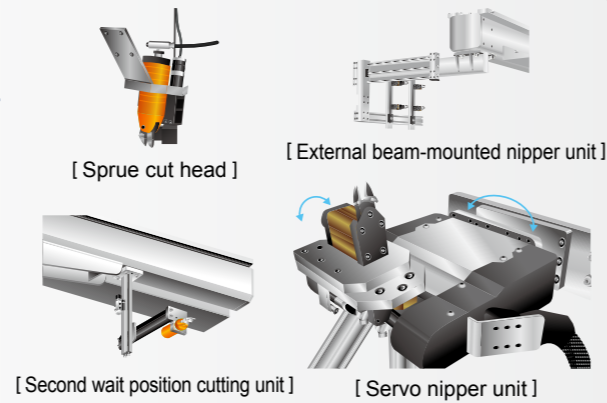
Separate catalog available

We provide solutions to your unique cutting needs

Yushin offers different options for cutting gates, sprues, and runners. A variety of cutting options are available, including nipper units and other precision cutting units.

Features

We have a selection of installations that cater to your needs, including the full range from rough cutting to precision cutting with quality cutting surfaces and efficient operation that minimizes the impact on cycle time.



Yushin Pallets

Injection Hi-pallets and Fine-pallets

Reinforced for Heavy Products

Injection Hi-pallets and Fine-pallets are made with extra rigidity for stocking heavier loads. Their heavy-duty, extra-rigid construction minimizes pallet flex in tall full-case stacks.

Conductive Version Available

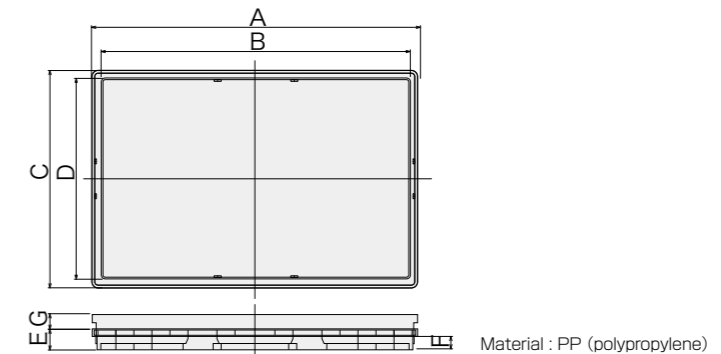
For stocking optical, medical, food-grade, or other products that require cleanroom conditions, these pallets are made of static-reducing, conductive material, which helps prevent dust adhesion due to static electricity.

Fine-pallets Available for Smaller Products

It is a small size Injection pallets.



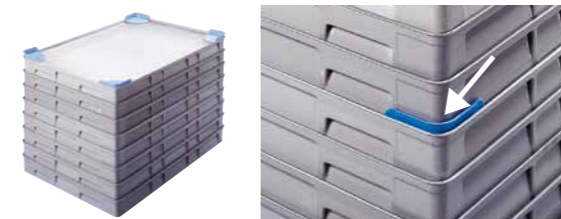
Injection Hi-pallet and Fine-pallet Specifications



Information	Injection Hi-pallet Y505						Fine-pallet 415											
	SI/SB	MI/MB	LI/LB	LLI/LLB	XL14/XLB4	XL13/XLB3	SI	SB	MI	MB	LI	LB						
A Longer-side length	738±2						621±2											
B Effective dimensions	690±2						579±2											
C Shorter-side length	507±2						416±2											
D Effective dimensions	460±2						374±2											
E Height	50.5	70.5	100.5	169.5	205	270	42	67	90									
F Effective dimensions	25	45	75	144	175	240	22	47	68									
G Loading pitch	36	56	86	155	192	257	32	57	80									
Single pallet weight [kg]	1.2	1.3	1.4	1.7	1.5	1.8	2	2.5	2.1	2.2	2.3	2.4	0.6	0.7	0.9	1	1	1.2
Number of pallets per case	10		10		10		5		—*		—*		20		10		10	

I type is non-conductive pallets and B type is conductive pallets. *1 : Please inquire with your local Yushin sales representative.

Hi-pallet and Injection Hi-pallet lids



- Keeps out dust and debris during transfer or temporary storage.
- Lids do not interfere with stacking.
- Lids serve as a mark to help quickly identify stacks.

Introducing our EXTRA catalog

Needs on the molding work floor

- Flexible handling of products
- Flexible cutting of products
- Round-the-clock operation and better labor saving
- Changeover improvement

Yushin has the solution for you.

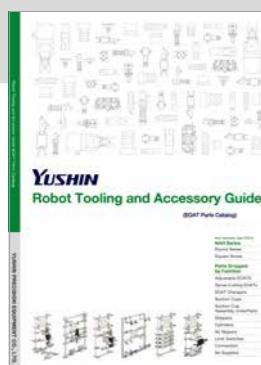


Introducing our Robot Tooling and Accessory Guide (EOAT Parts Catalog)

What are you looking for in end-of-arm tools?

- Make new tools
- Make tool exchanges more efficient
- Modifying or repairing parts

Yushin has the solution for you.



All-Axis Servo Driven Type

Swing Type

Side Entry Type

For Vertical Molding Machine

Stock System

Product Series Guide [P11]

Stock System